

VEGA-FLOW

Heat Recovery Ventilator

Item no.: 1102



UP TO
95%
EFFICIENCY

ALLERGY
FRIENDLY

3 YEAR
WARRANTY

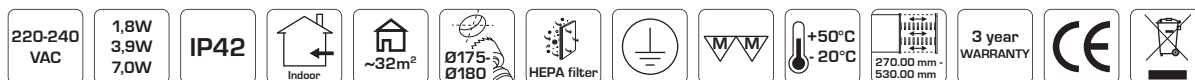
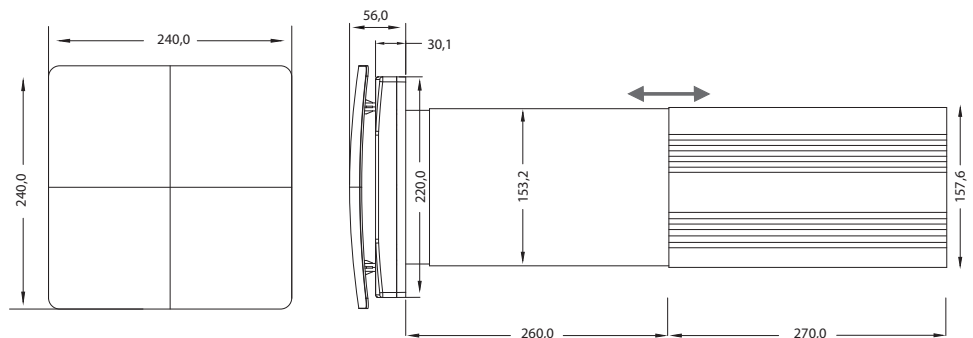
WiFi

- Efficient and energy-conscious ventilation
- The warm air in the room is replaced with heated air from the outside
- Energy recovery efficiency of up to 95%
- Reduces pollen and dust particles
- Reduces condensation and moisture
- Easy and quick installation
- Integrated WiFi / App

Wall mounting:

VEGA-FLOW can be built into wall thicknesses ranging from 27 cm to 53 cm. Is suitable for living spaces, bedrooms, basements, cafes or garages; for rooms up to 32m². VEGA-FLOW is not approved for ceiling mounting.

HEPA FILTER
INCLUDED



Power supply	220-240 VAC
Colour	White
Material	ABS
Air flow (max.)	60 / 35 m ³ /h
Heat Exchange Rate	Up to 95%
Power	1.8W / 3.9W / 7.0W
Applicable area (approx.)	~32m ²
Operation Mode	Air supply mode / Ventilation mode / Regeneration mode
Sound power level	20-30 dB
Application temperature	-20°C to +50°C
Heat exchanger core	Ceramic

Speed	I (Low)	II (Middle)	III (High)
Power supply, 50-60 Hz [V]	220~240	220~240	220~240
Total power [W]	1.8	3.9	7.0
Max. ventilator current [A]	0.019	0.034	0.053
Max. air capacity [m ³ /h] (CFM)	48(28)	54(32)	60(35)
RPM (min.)	651	956	1261

Accessories



Hepa filter

Item no.: 1181

5 YEAR
WARRANTY



Round Louvre Vent

Matt white

Item no.: 1191

Anthracite

Item no.: 1192

Matt black

Item no.: 1193